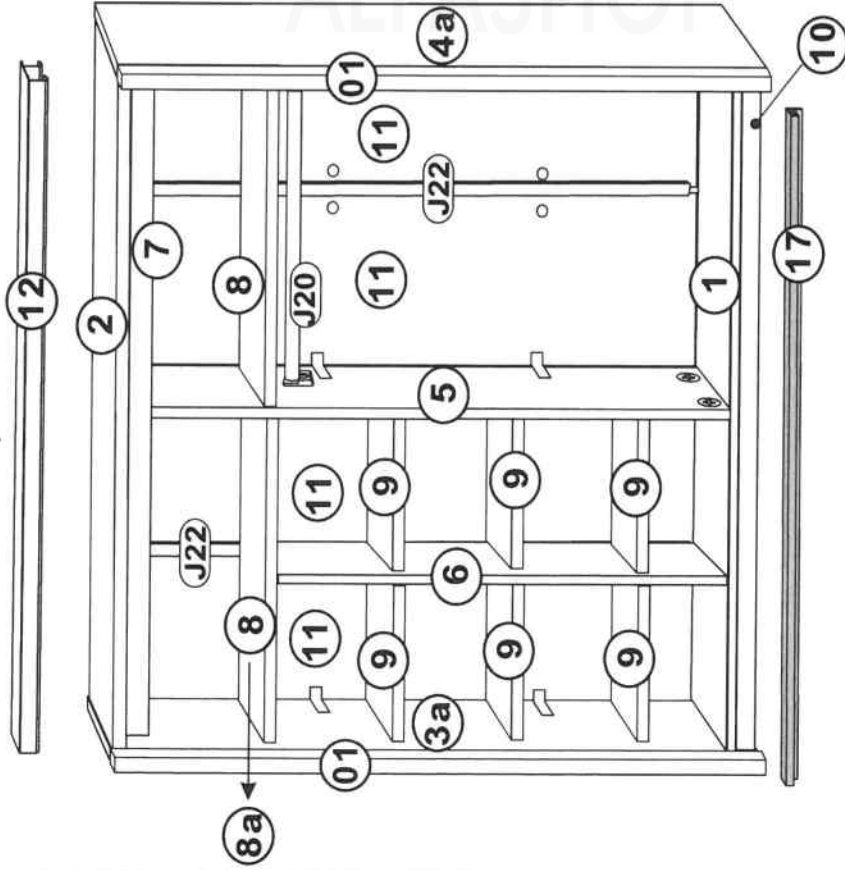
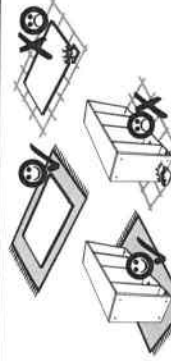
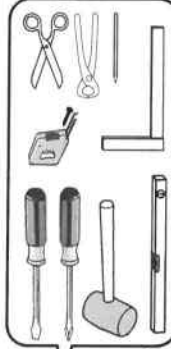
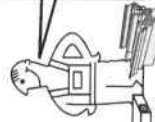
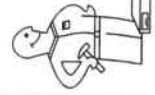
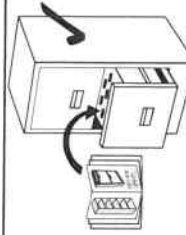
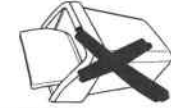
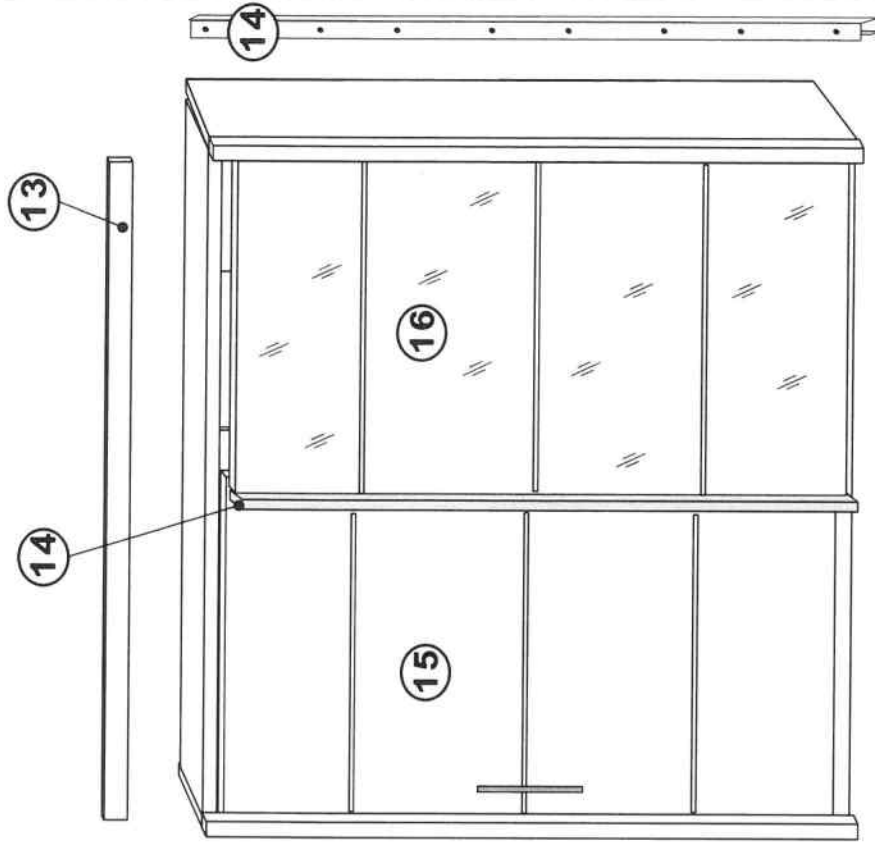
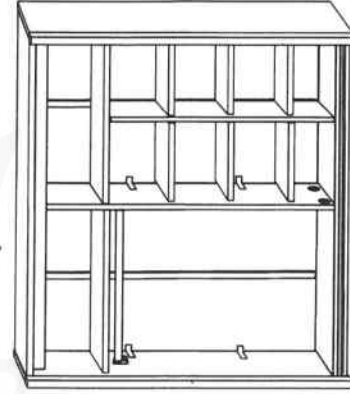


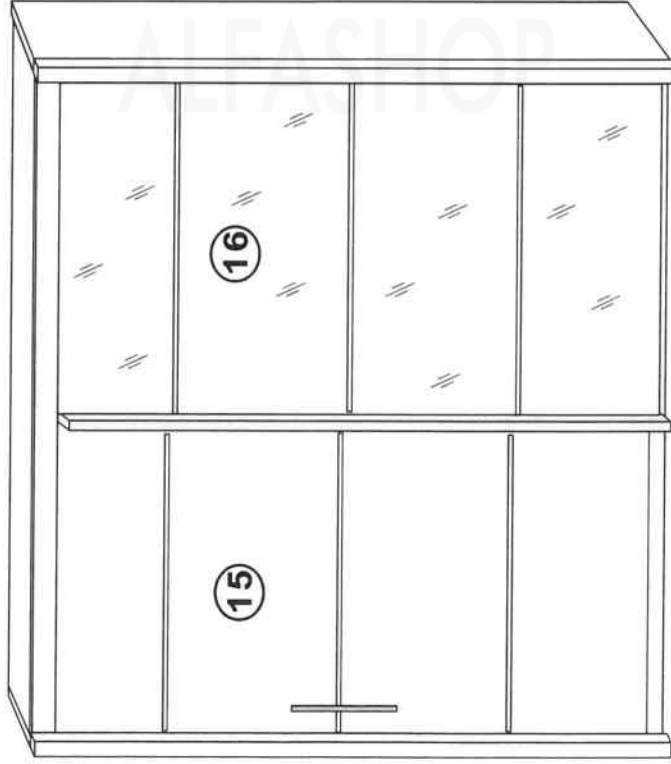
Option "a"



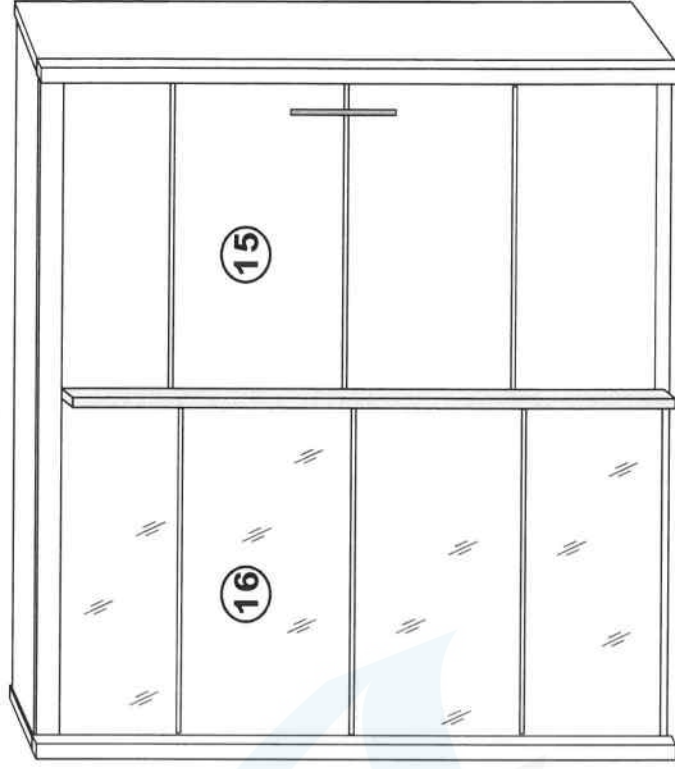
option "b"

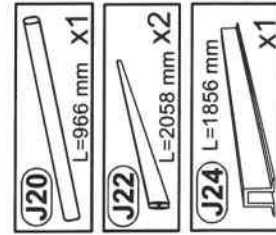
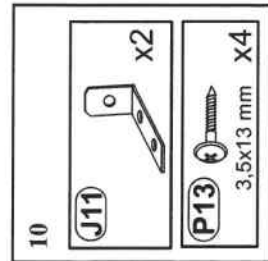
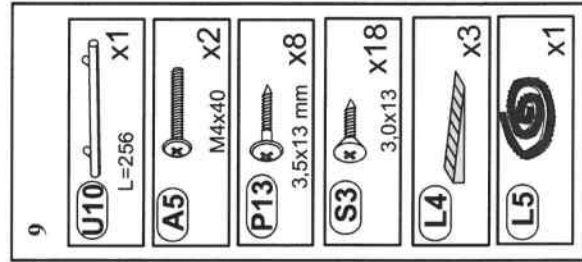
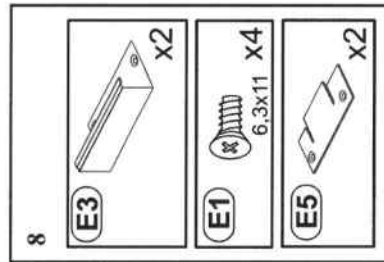
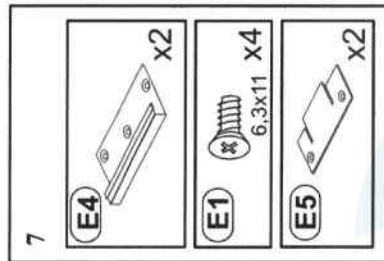
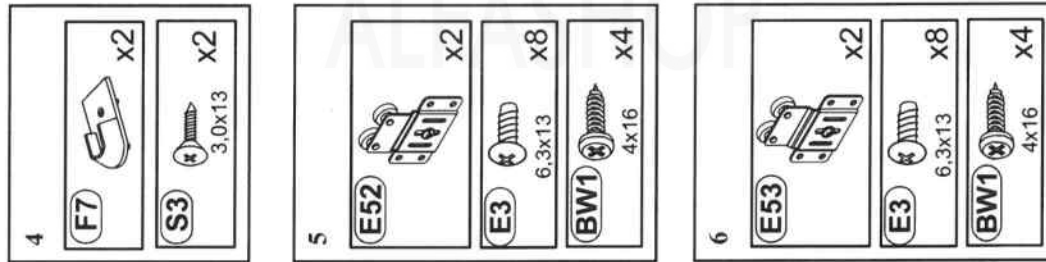
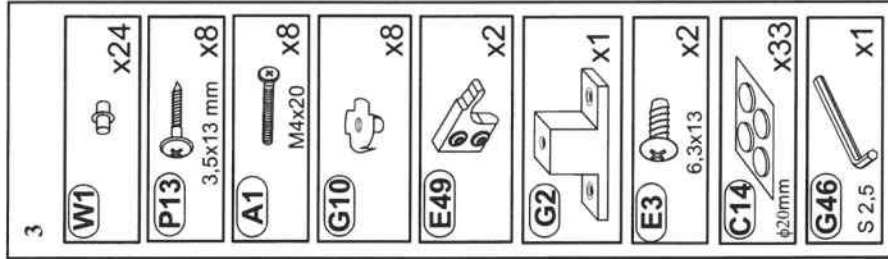
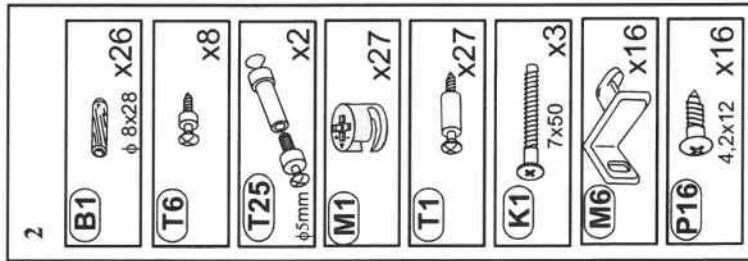


option "c"






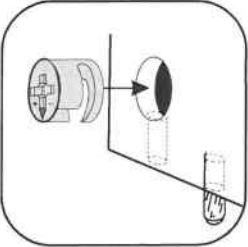
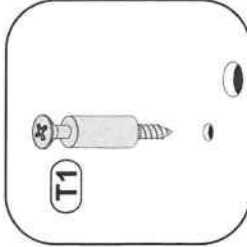
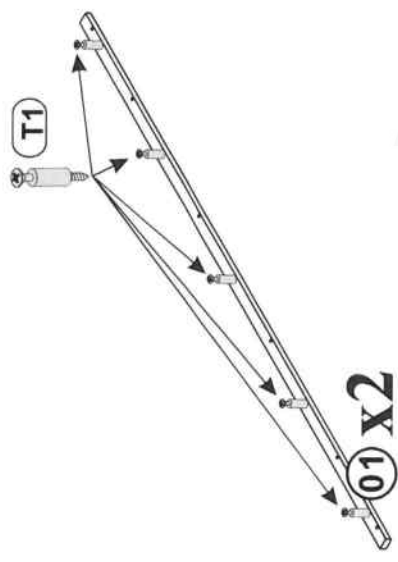
option "d"





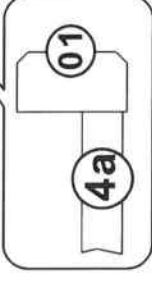
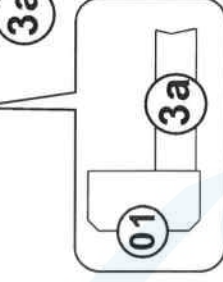
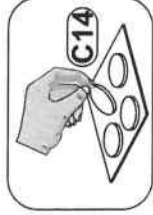
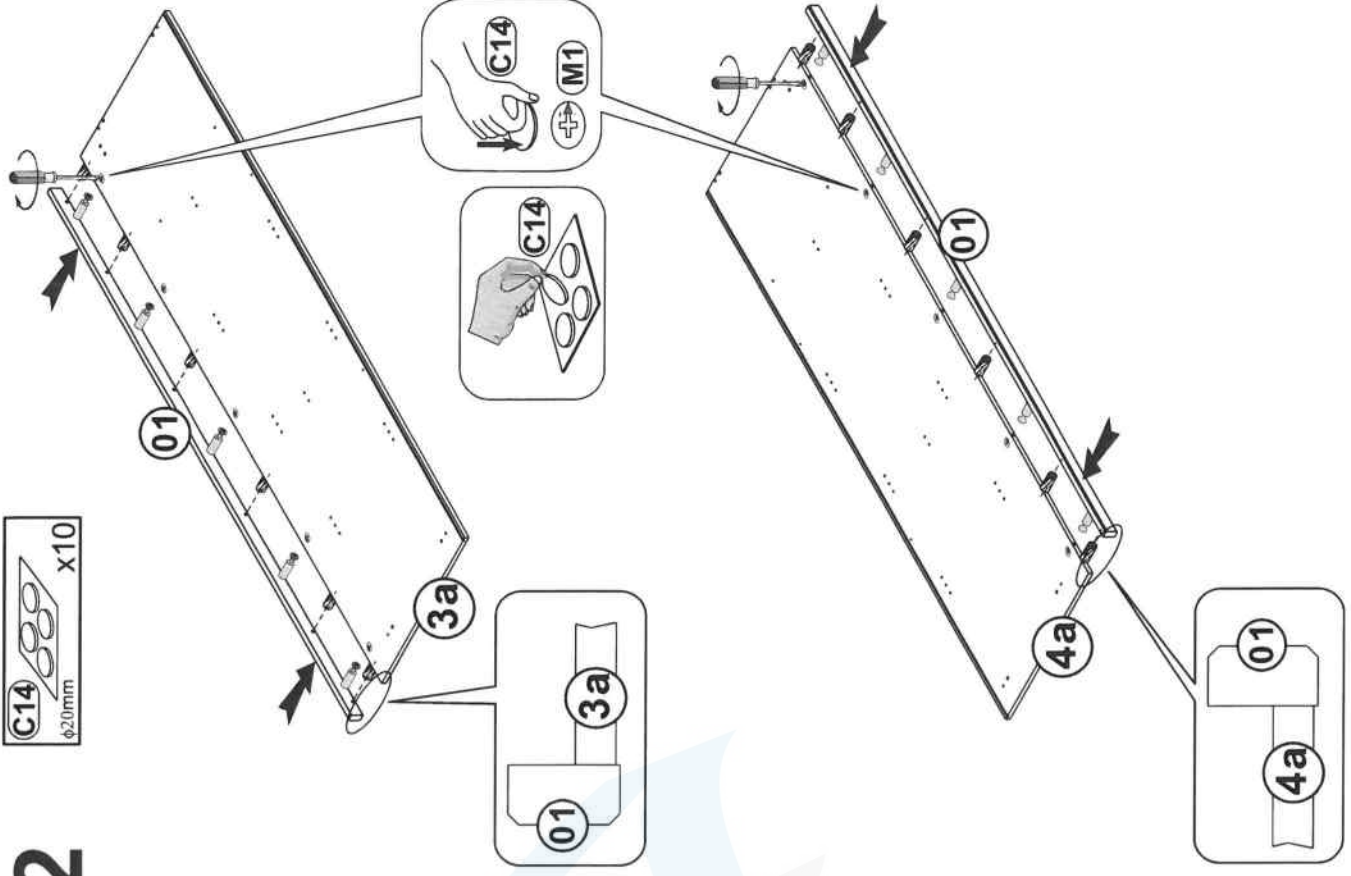
1

- B1**  ϕ 8x28 X12
- M1**  X10
- T1**  X10

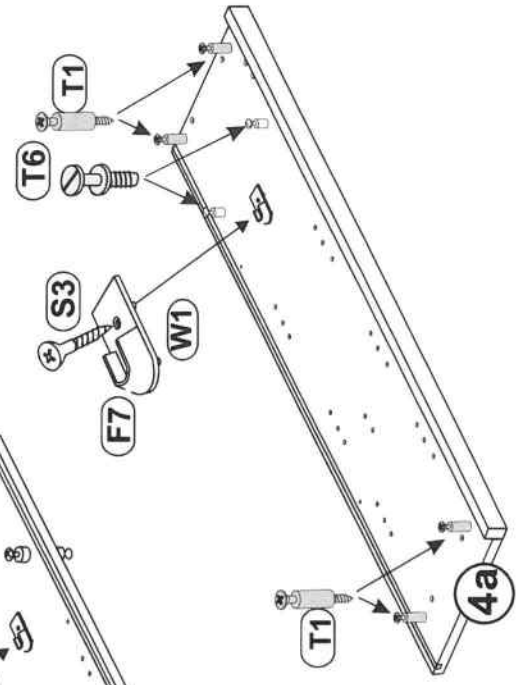
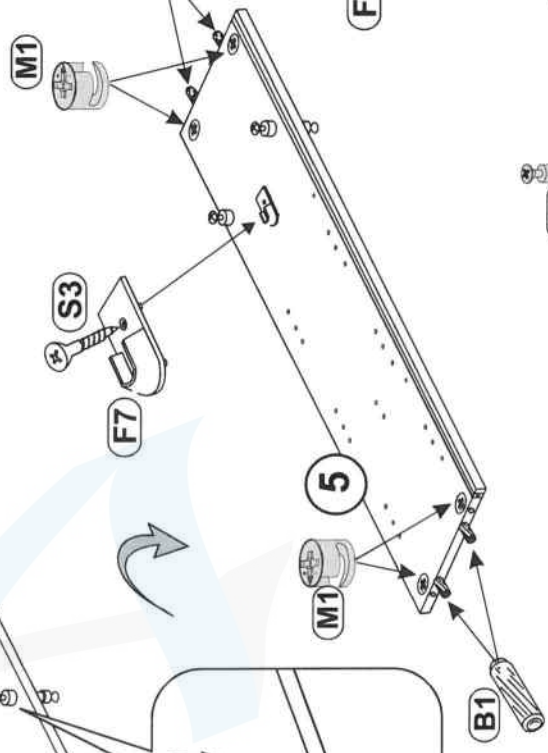
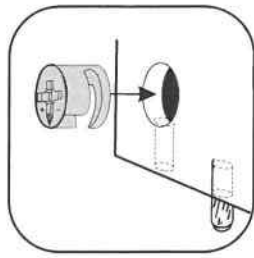
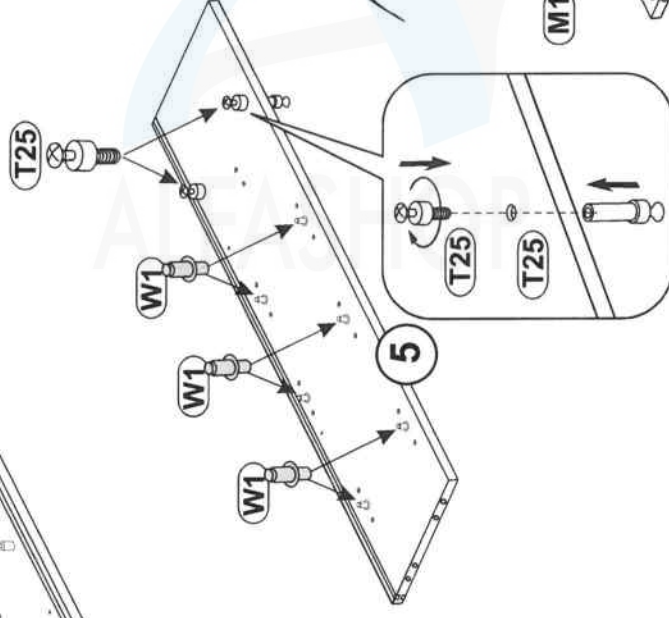
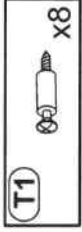
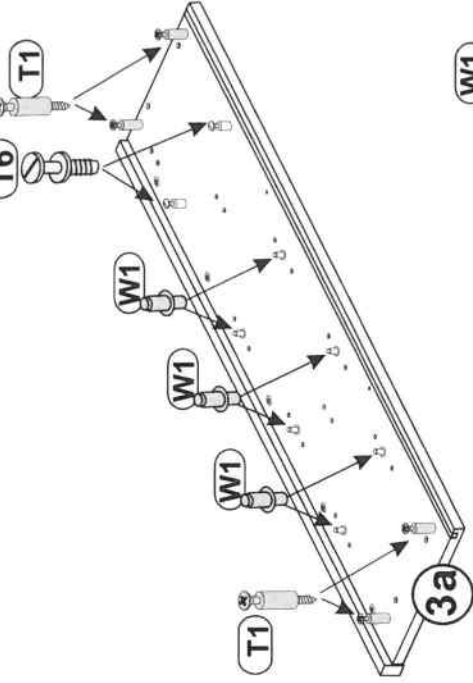
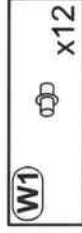


2

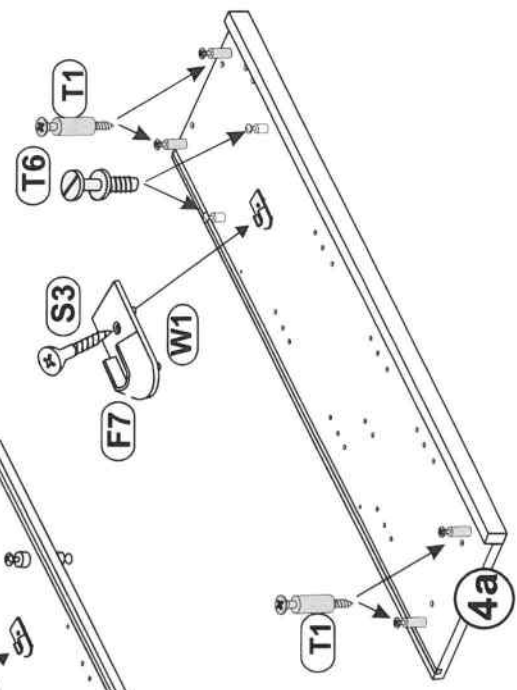
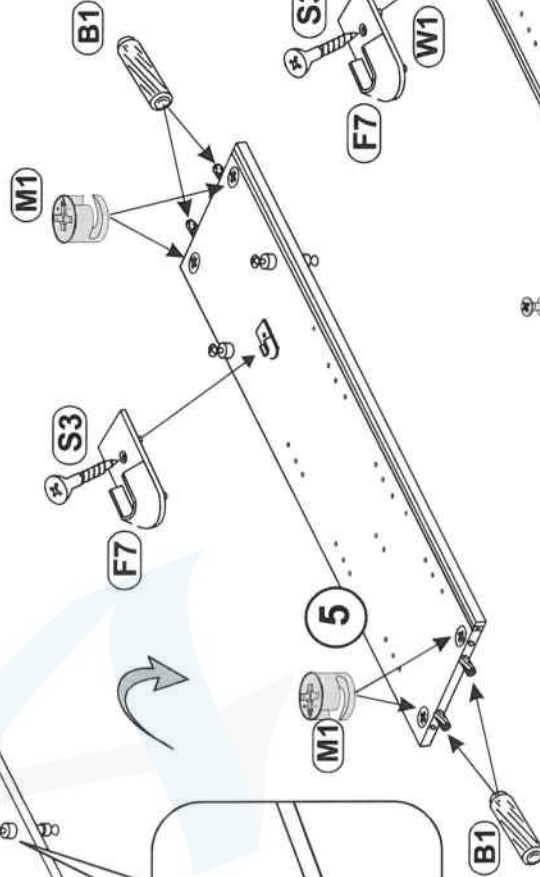
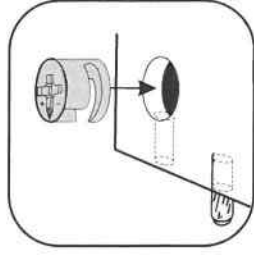
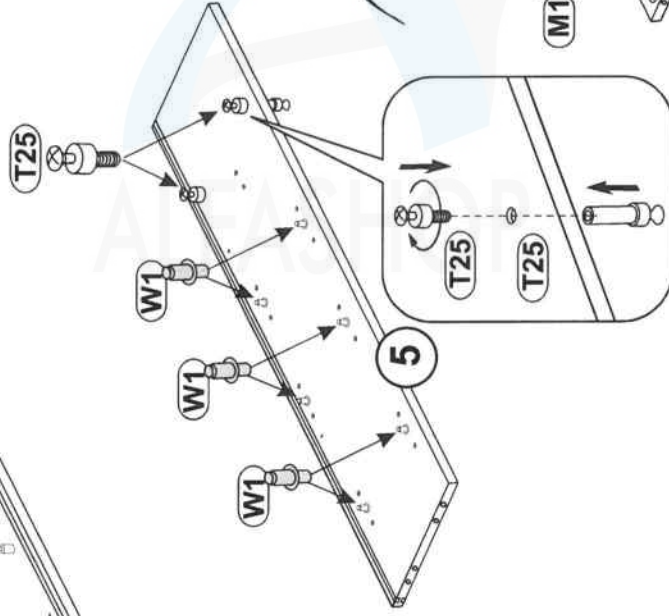
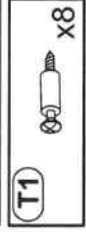
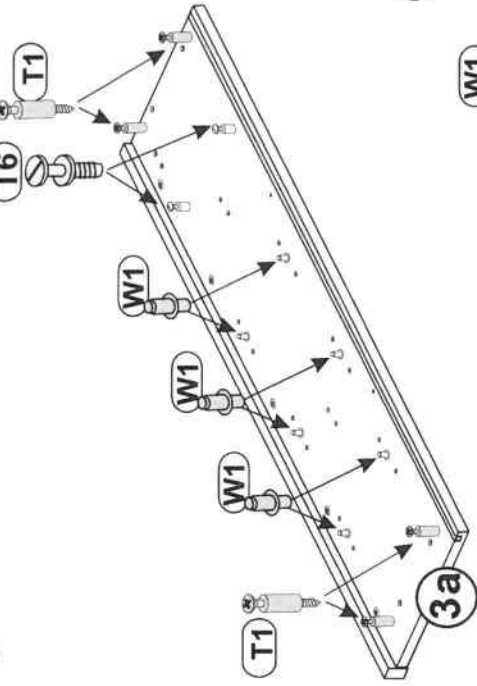
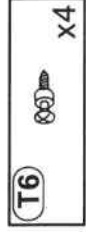
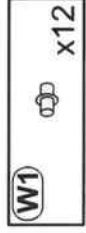
- C14**  ϕ 20mm X10





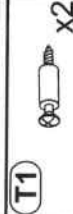





3 option "a" 

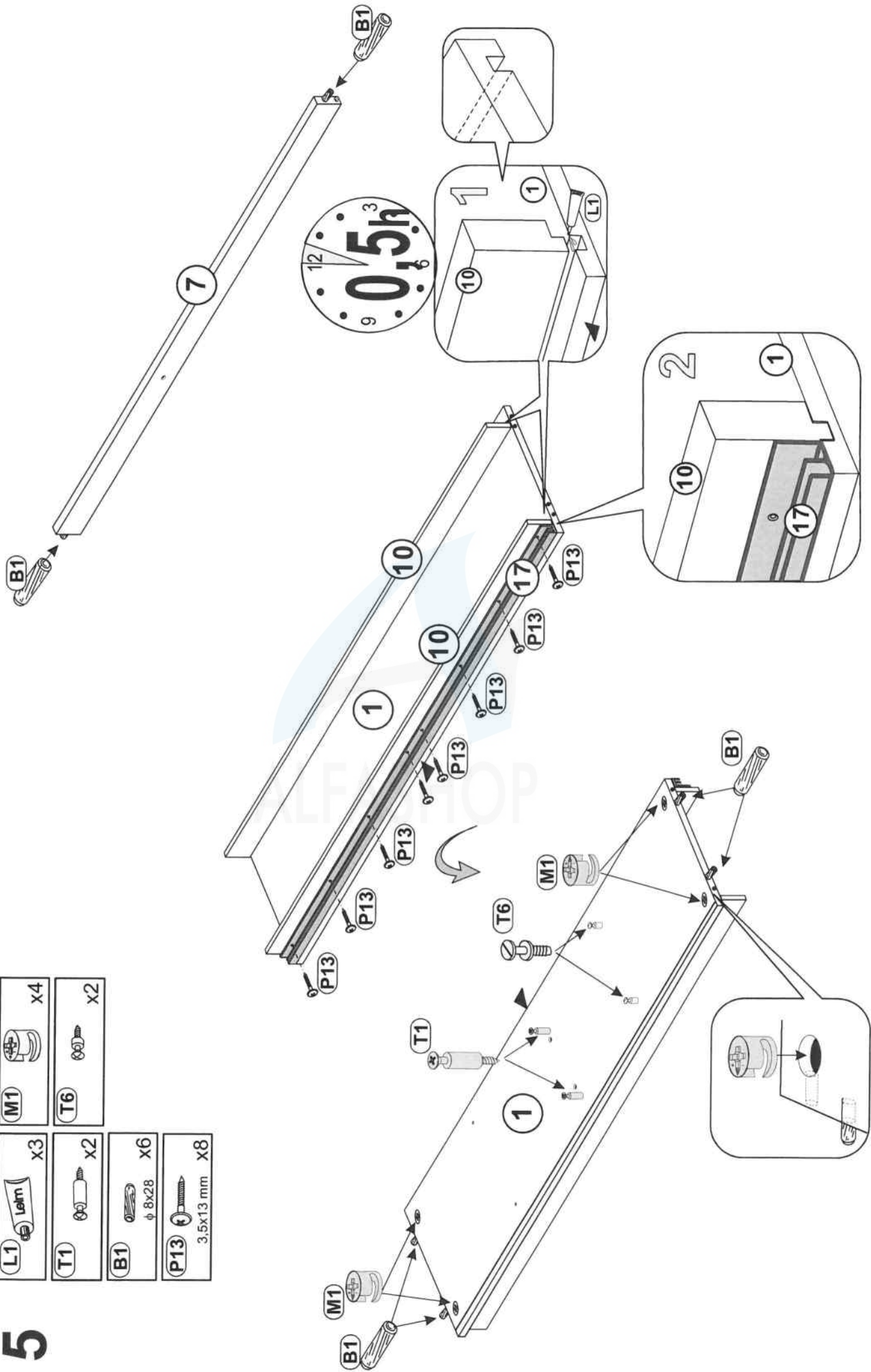


3 option "a" !

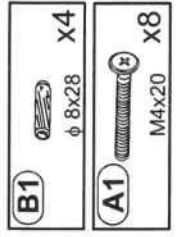
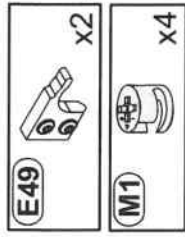


5

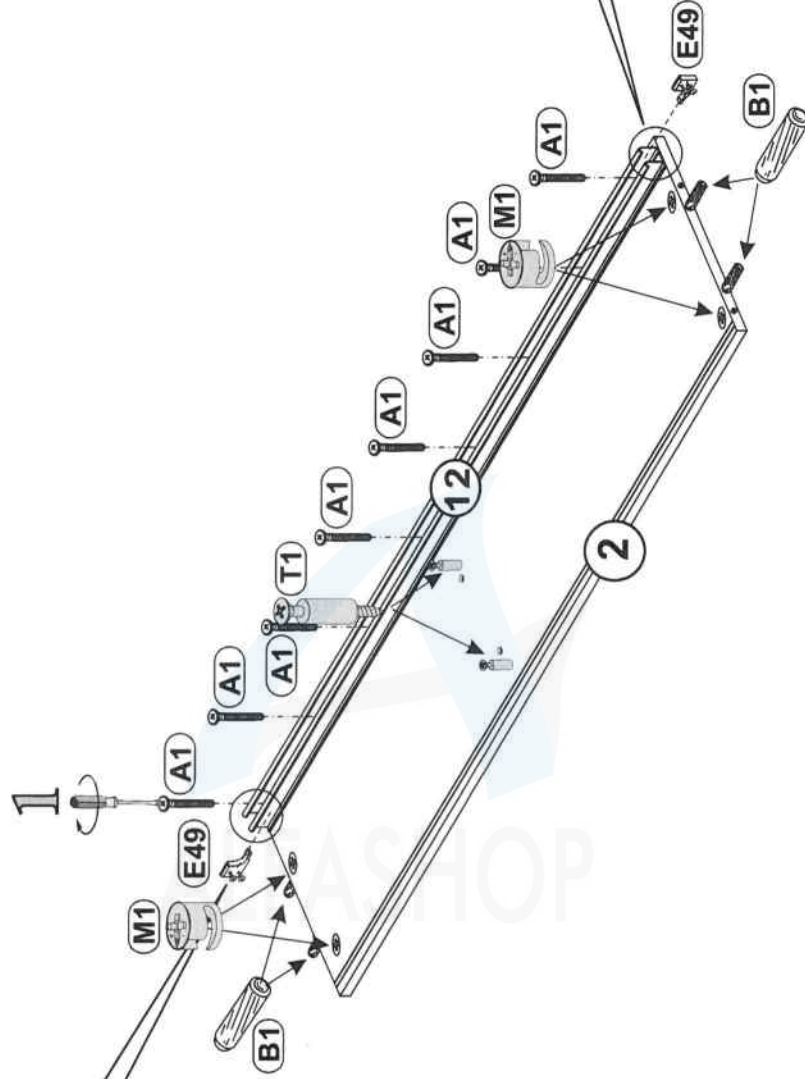
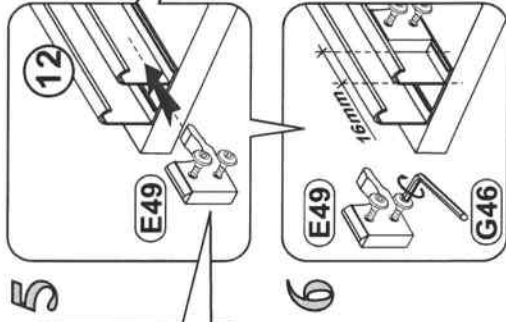
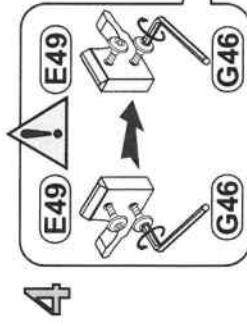
	x3		x4
	x2		x2
	φ 8x28		x6
	3.5x13 mm		x8



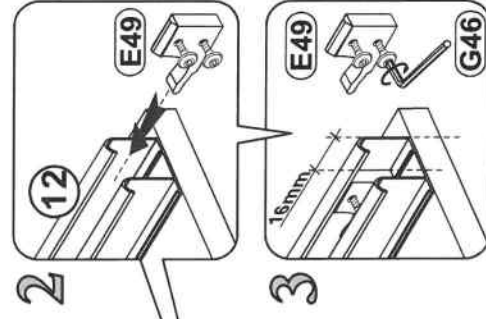
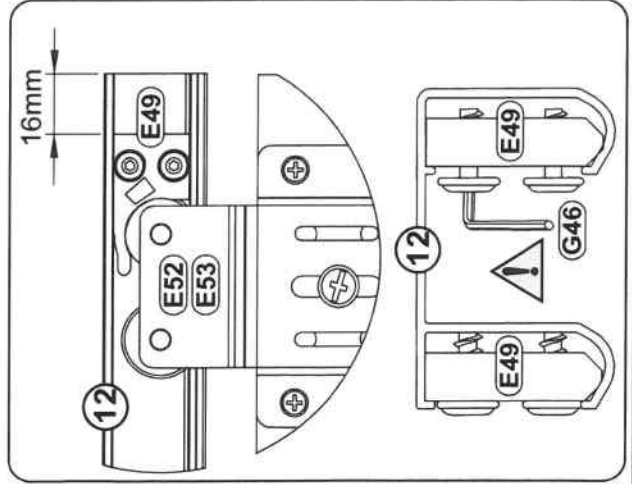
6a



option "c"



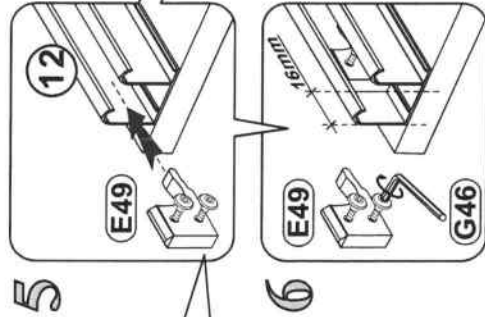
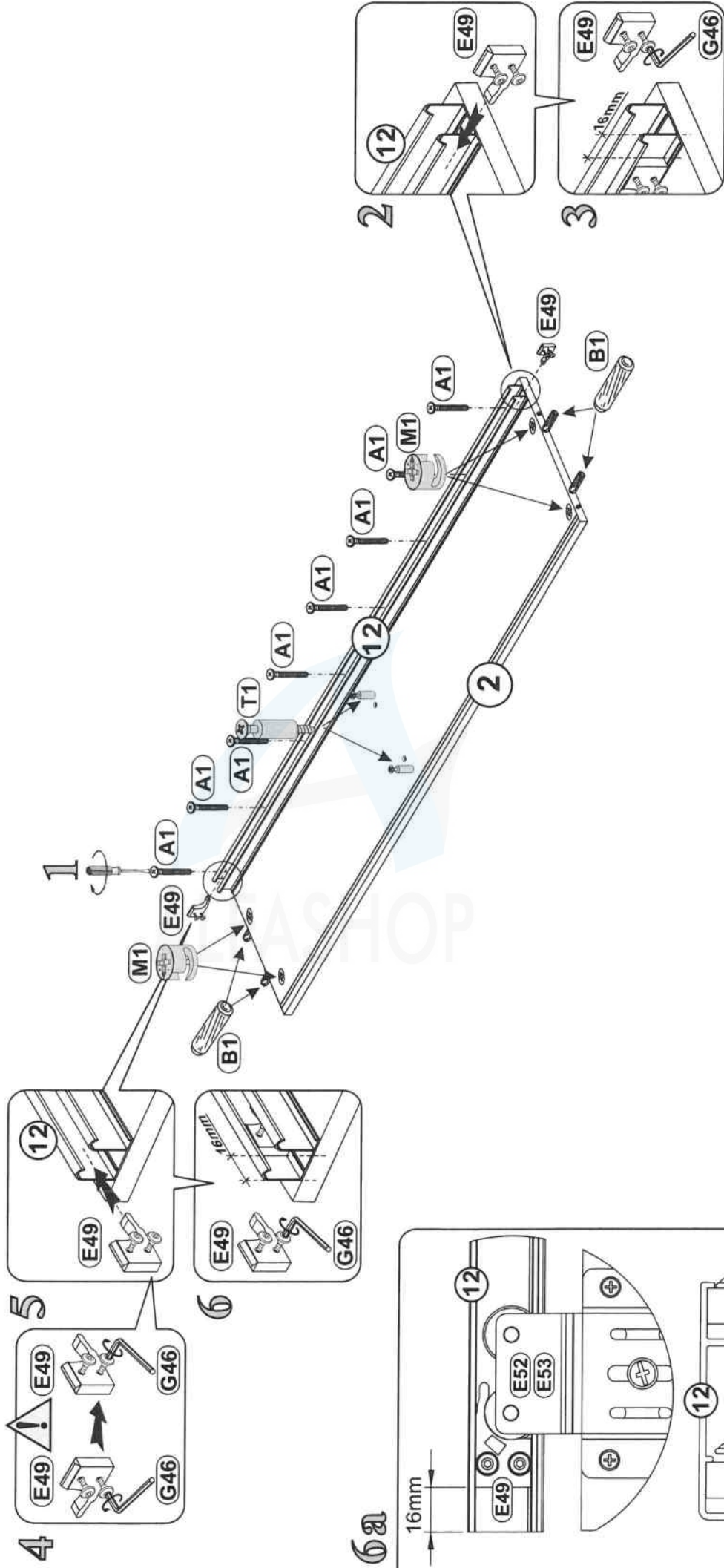
3a



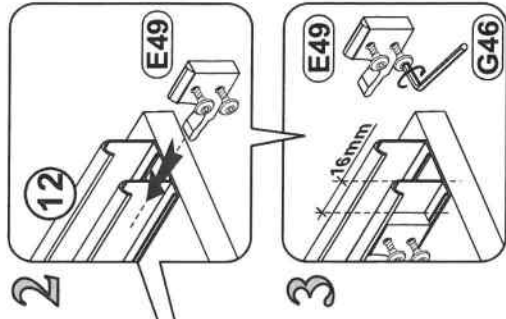
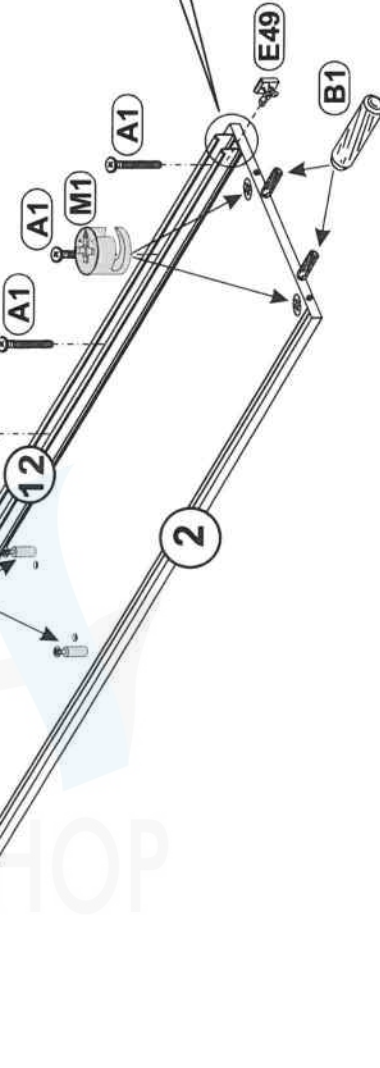
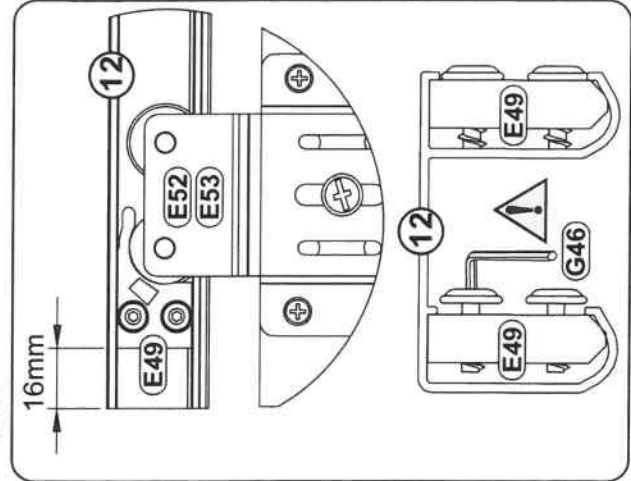
6b

- E49 x2
- M1 x4
- B1 x4
- A1 x4
- T1 x2
- G46 S 2.5 x1
- B1 x2
- A1 x8



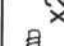
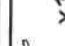

option "d"

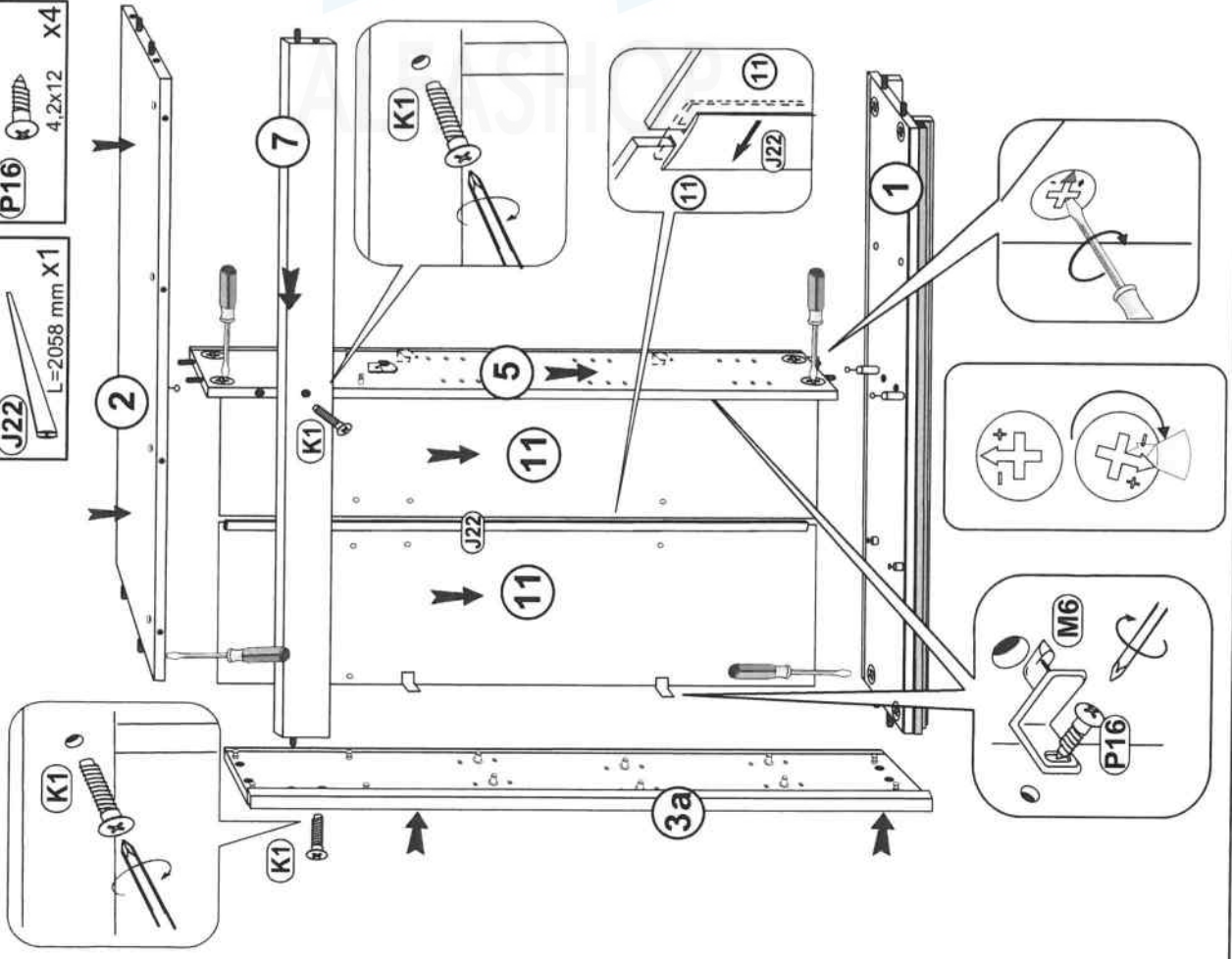


6a







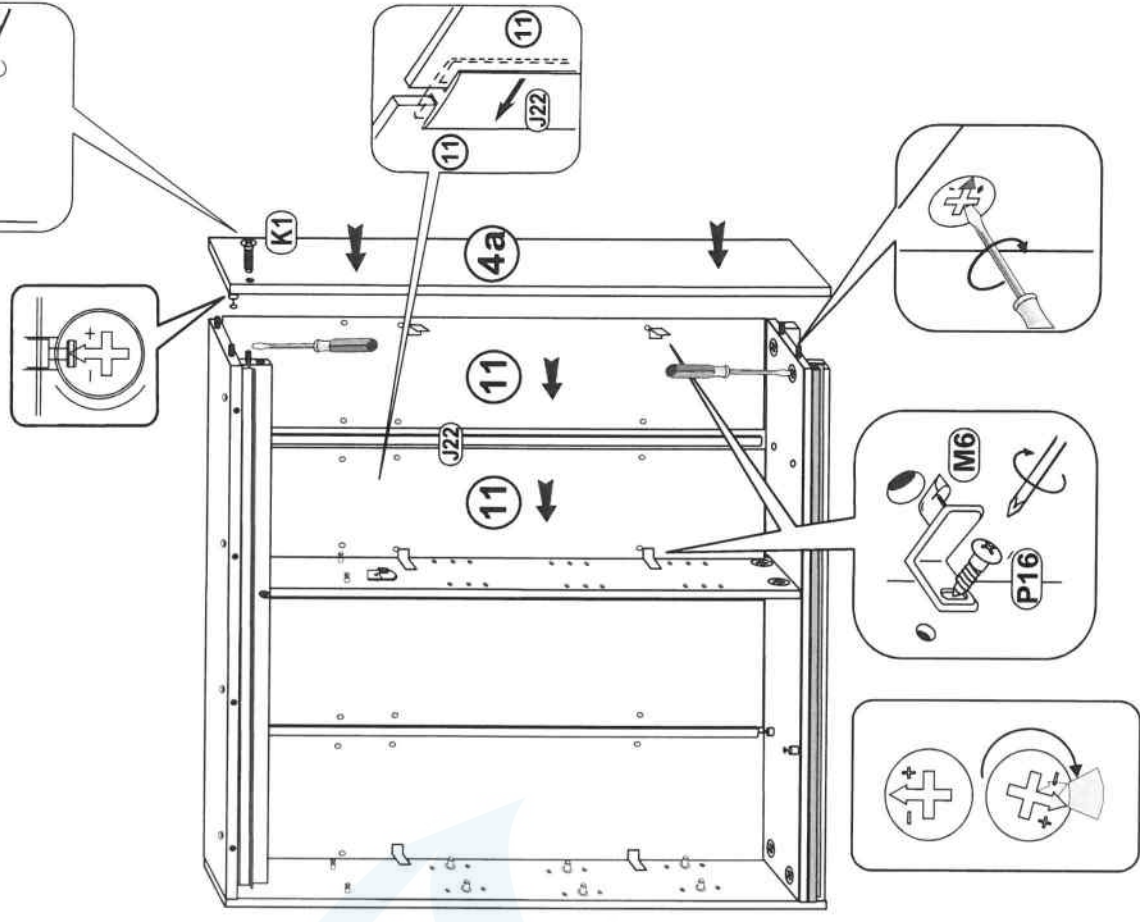
7 option "a" 

-  **K1** 7x50 X2
-  **P16** 4,2x12 X4
-  **M6** X4
-  **P16** 4,2x12 X4
-  **J22** L=2058 mm X1

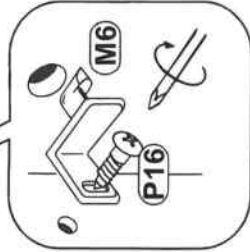
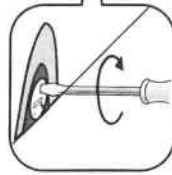
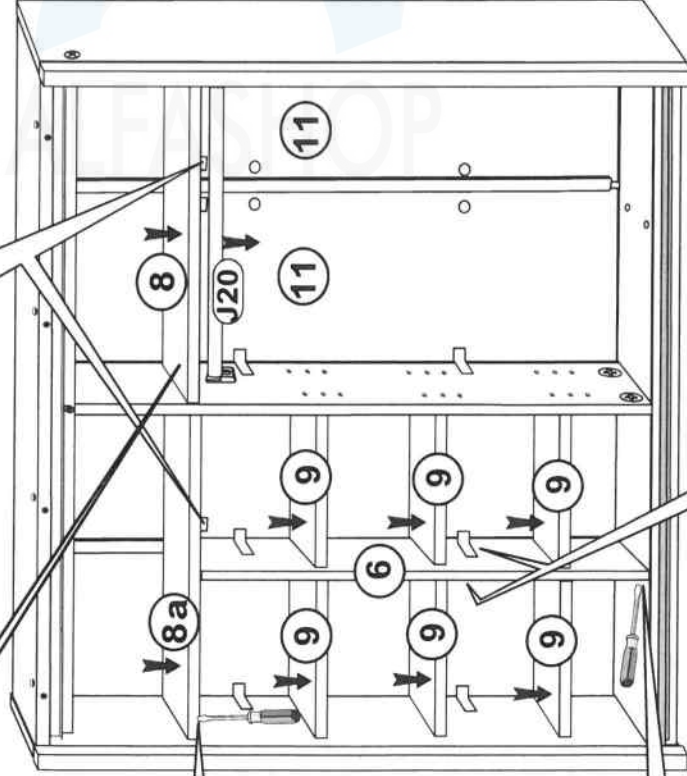
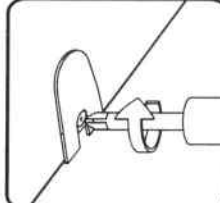


8

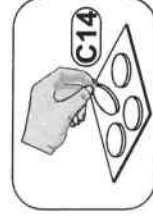
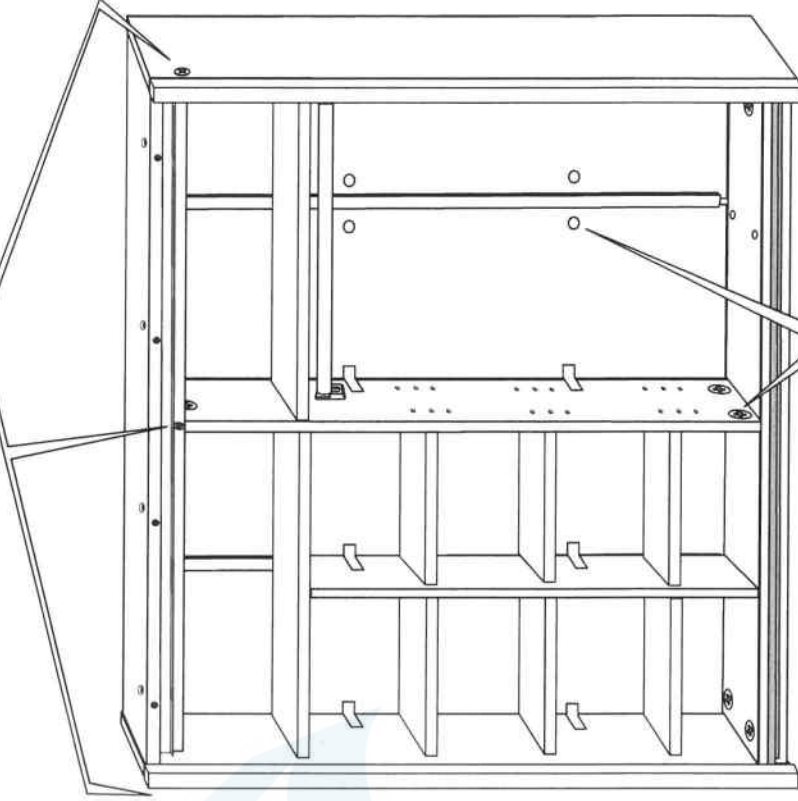
-  **K1** 7x50 X1
-  **J22** L=2058 mm X1
-  **M6** X4
-  **P16** 4,2x12 X4

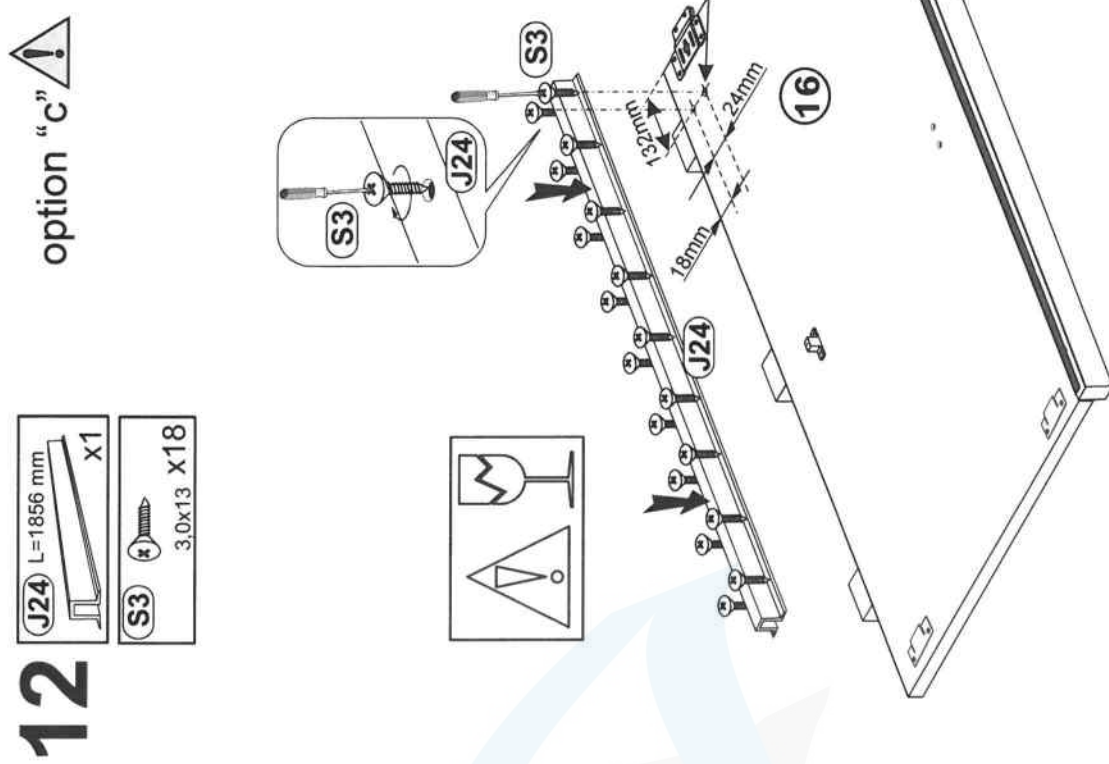
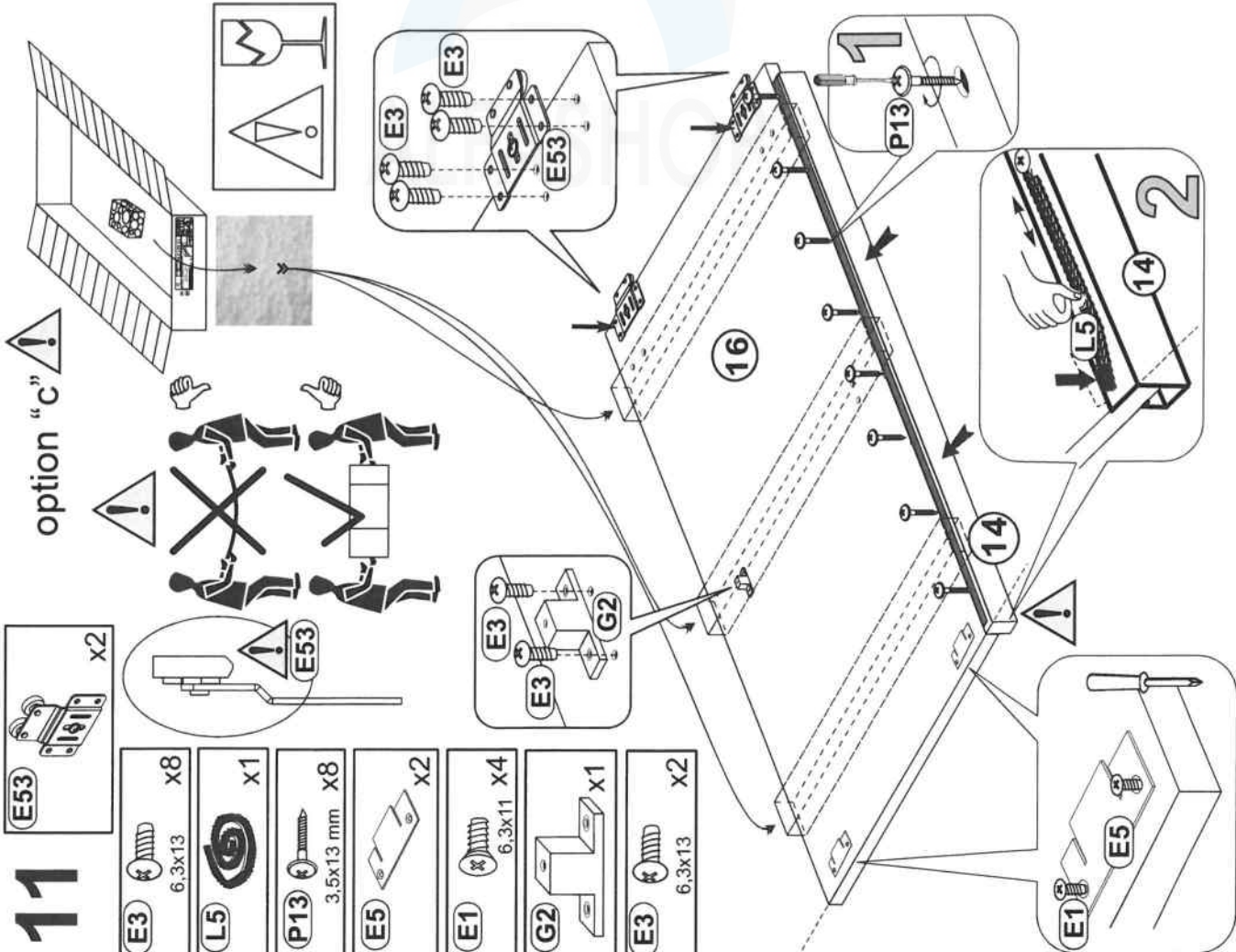


9









10



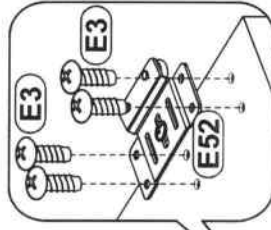
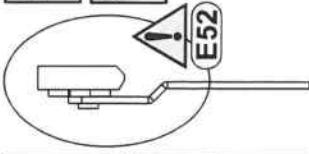


13

- E52**  x2
- E3**  6.3x13 x8
- E5**  x2
- E1**  6.3x11 x4

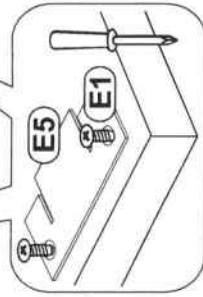
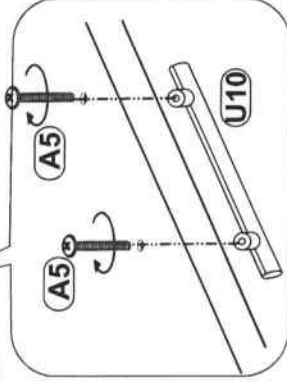
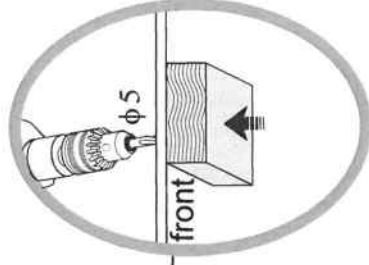
- U10**  L=256 x1
- A5**  M4x40 x2

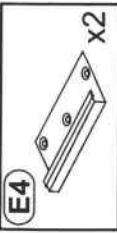

option "c" 

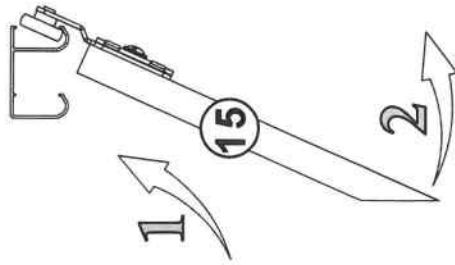


15 

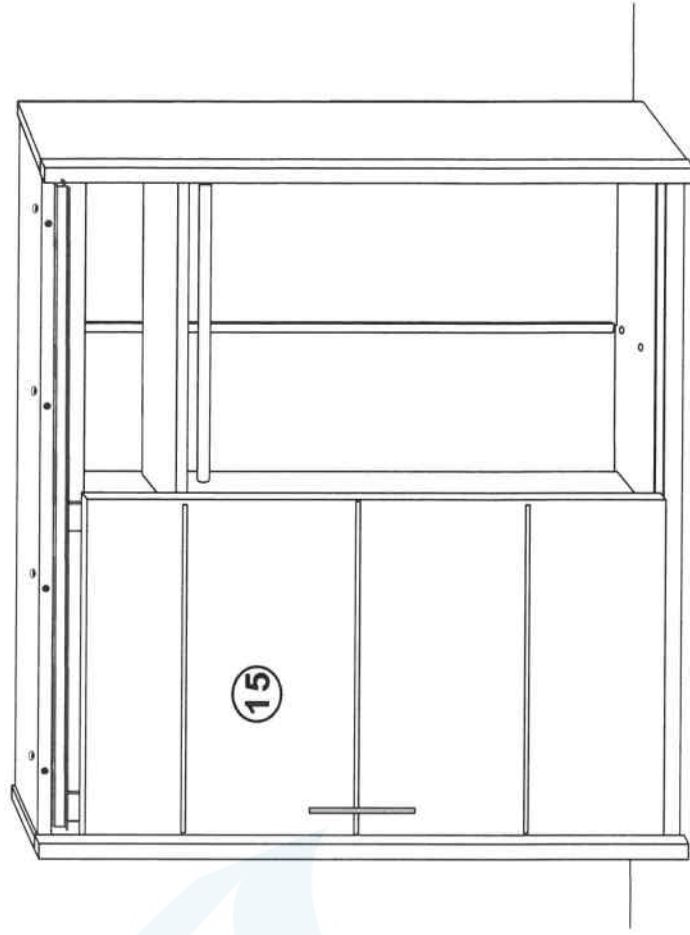
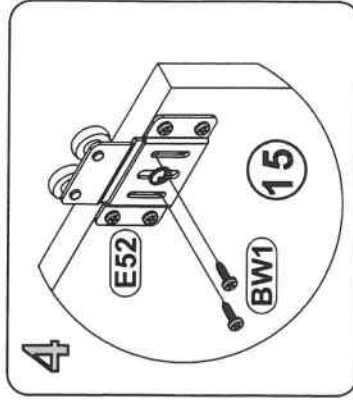
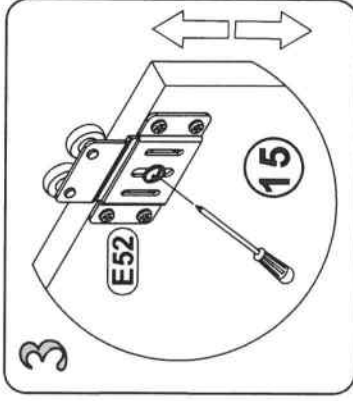
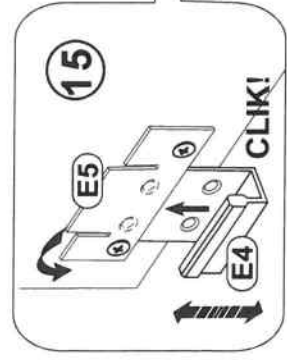
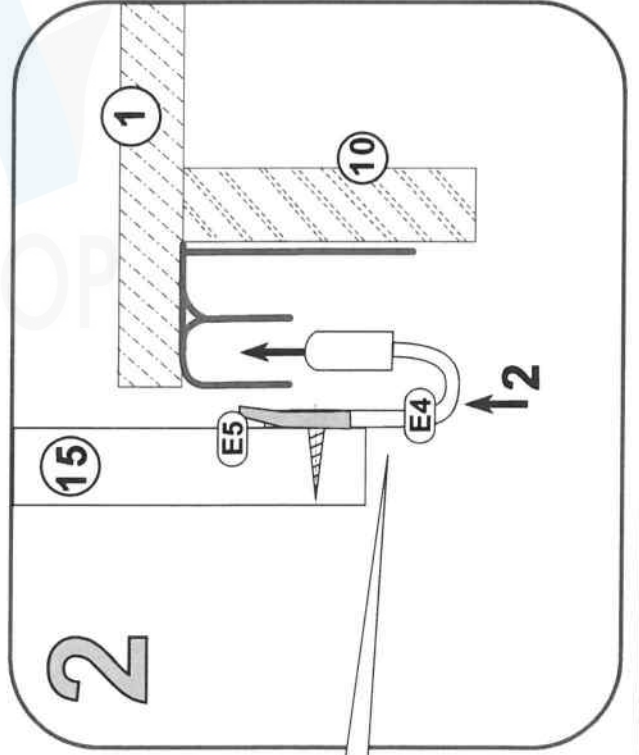
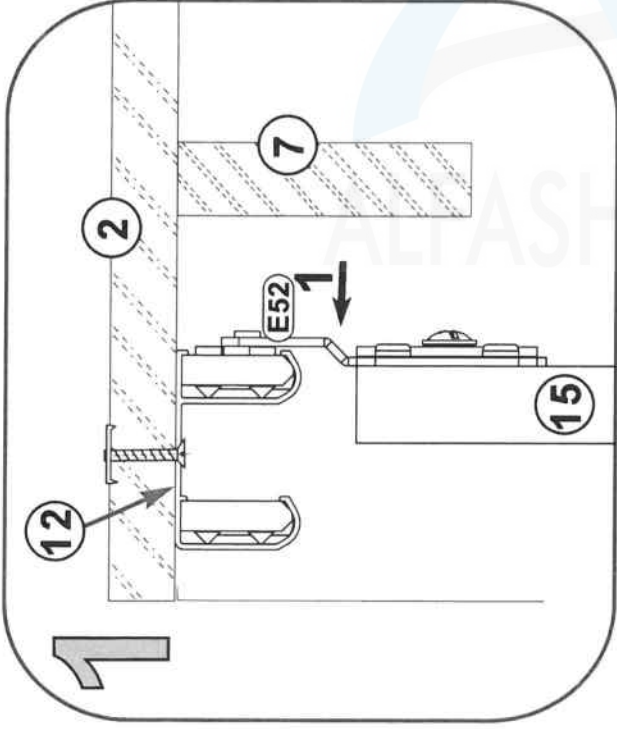
ALFASHOP





- 14**
-  E4 x2
 -  BW1 4x16 x4

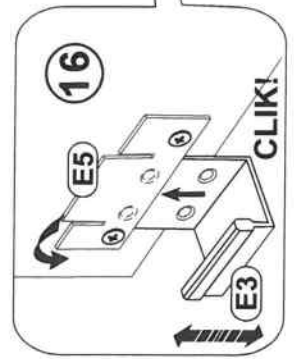
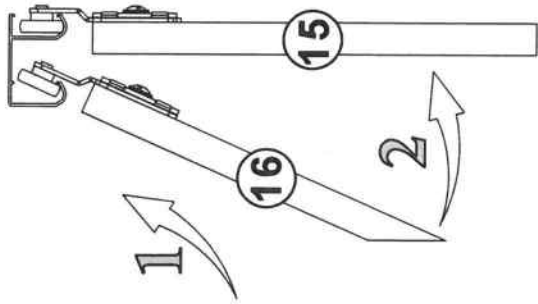
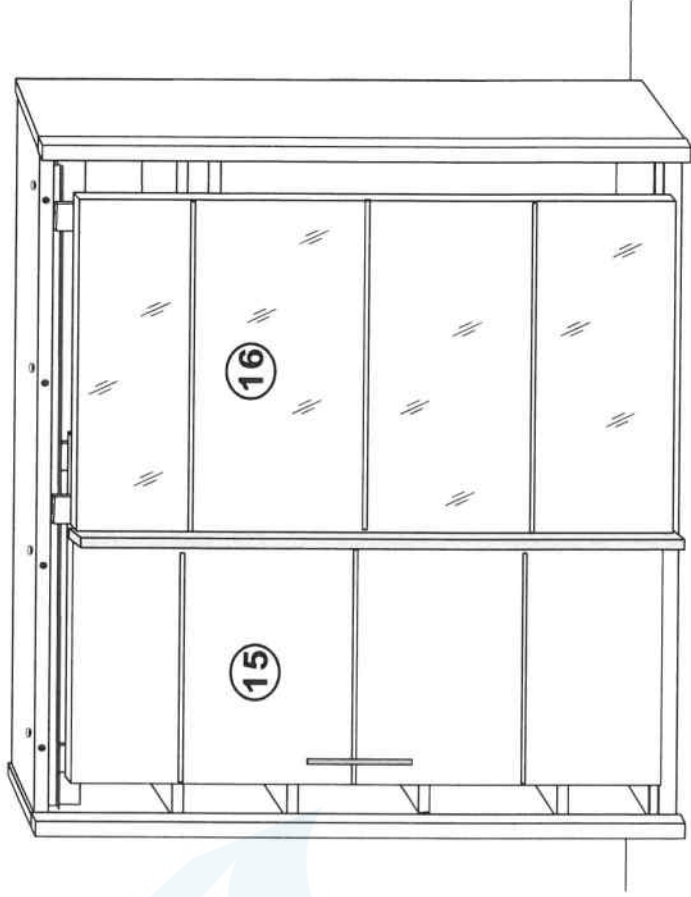
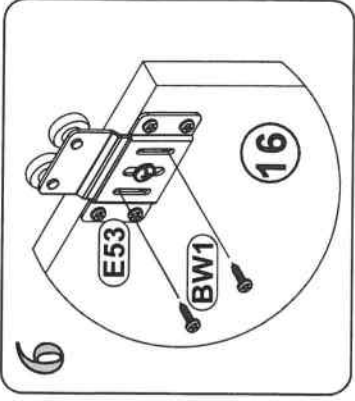
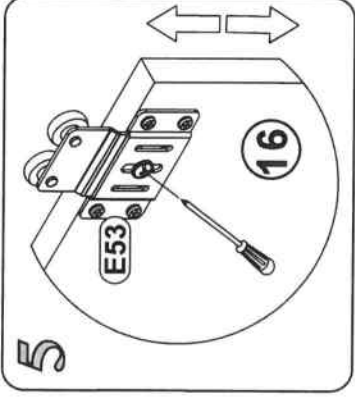
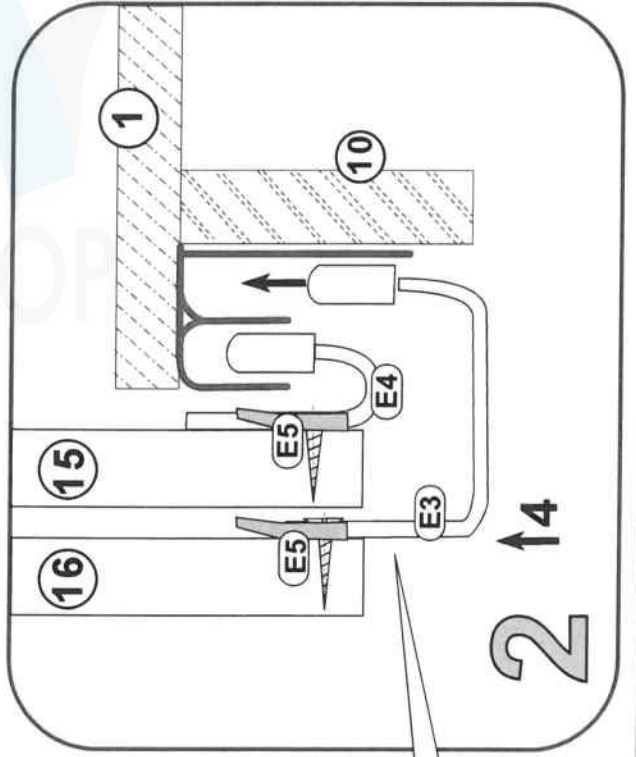
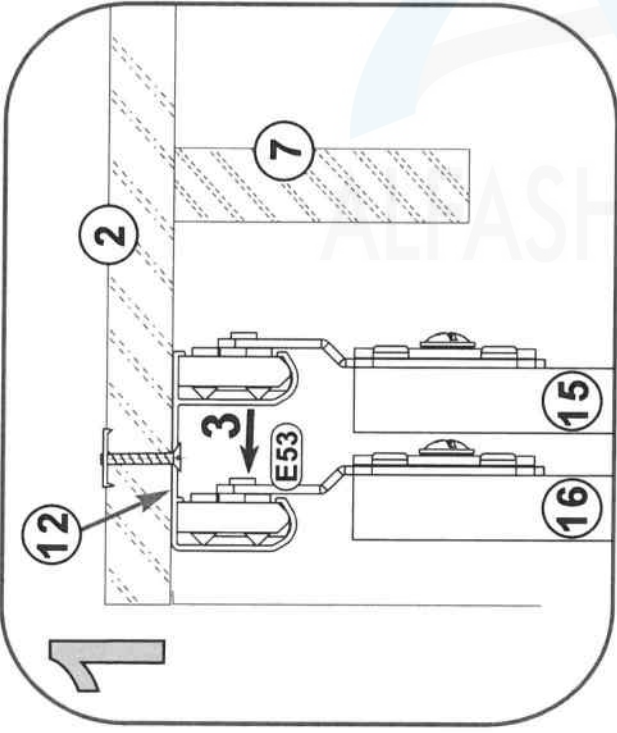


option "c" 

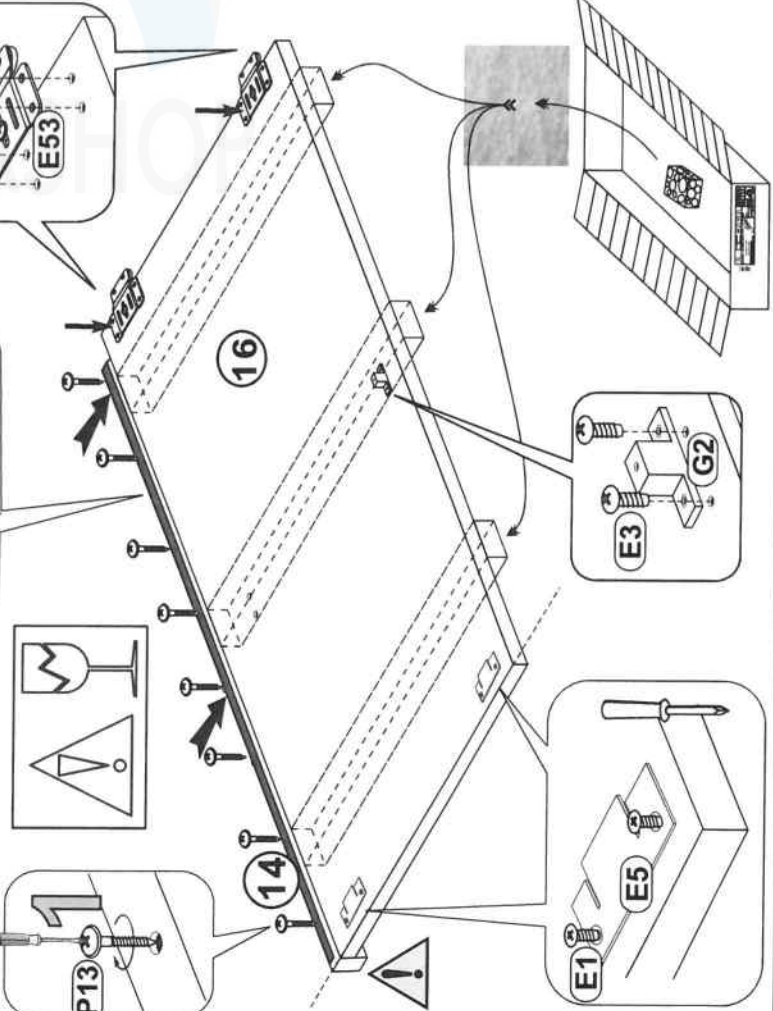
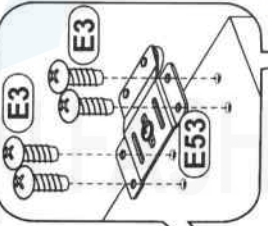
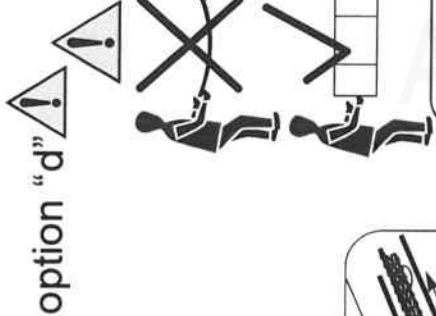
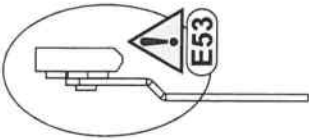
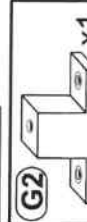
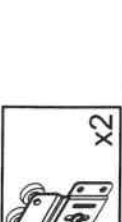


- 15**  x2
-  4x16 x4

option "c" ▲



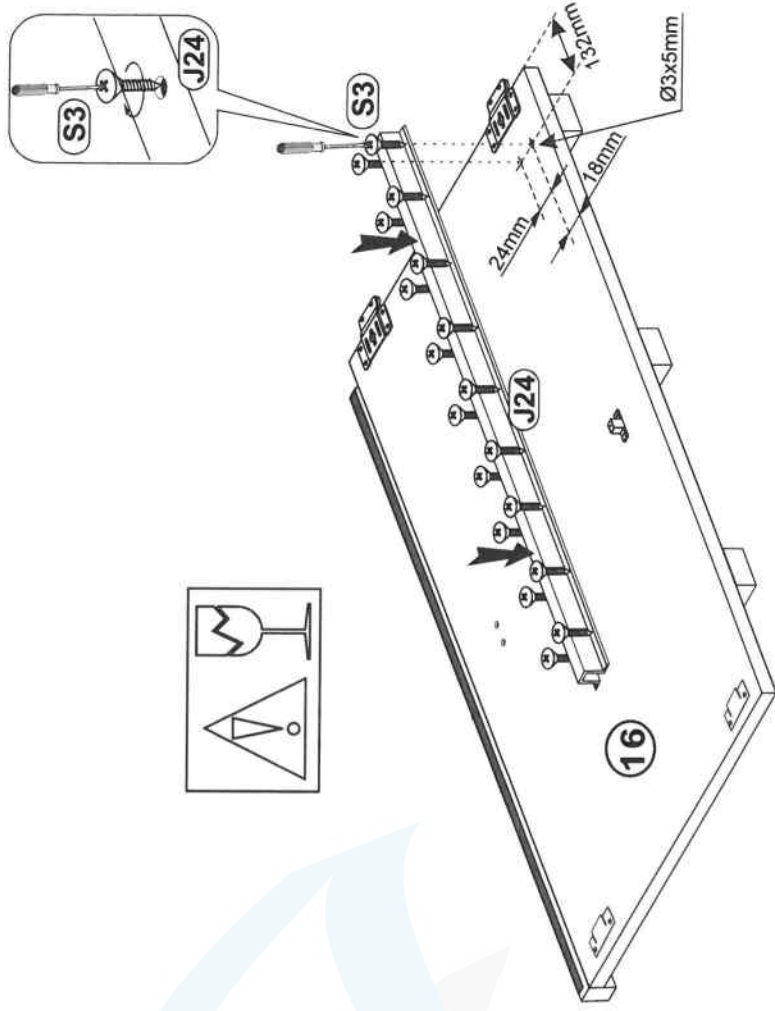
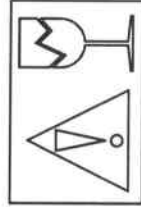
16







17

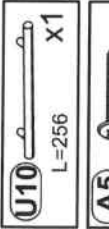



option "d" !

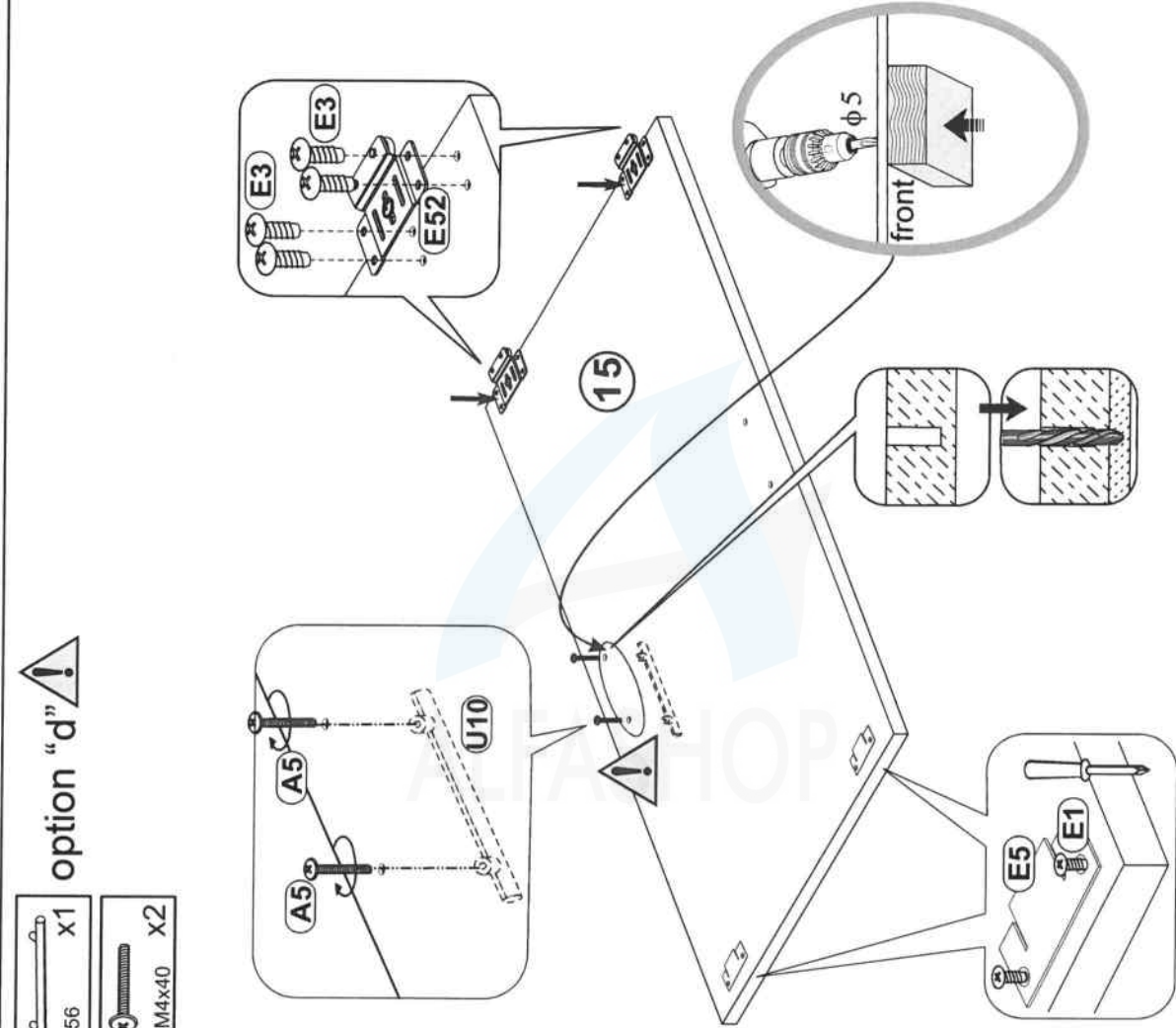


18

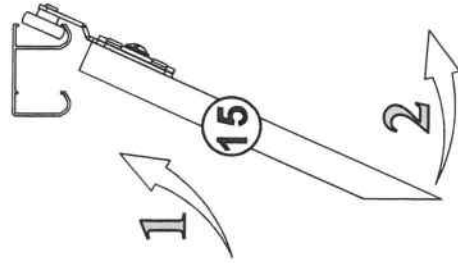
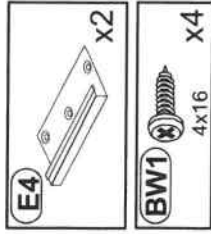
-  E52 x2
-  E3 6,3x13 x8
-  E5 x2
-  E1 6,3x11 x4

-  U10 L=256 x1
-  A5 M4x40 x2

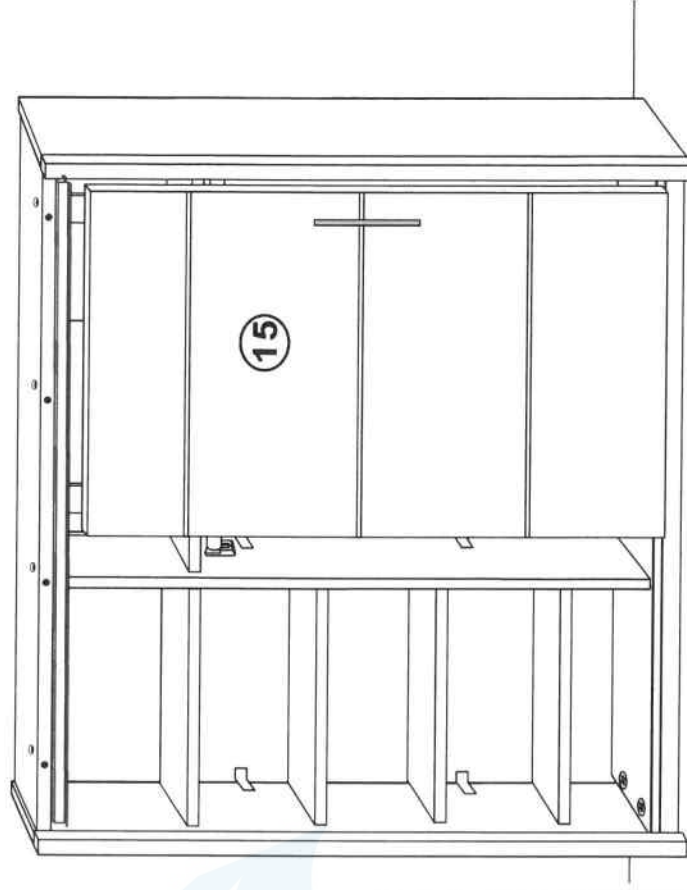
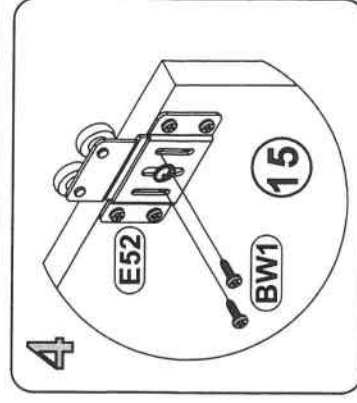
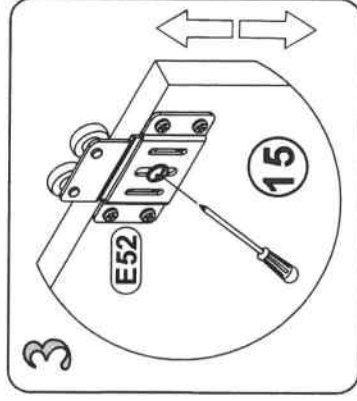
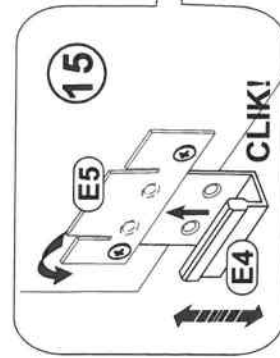
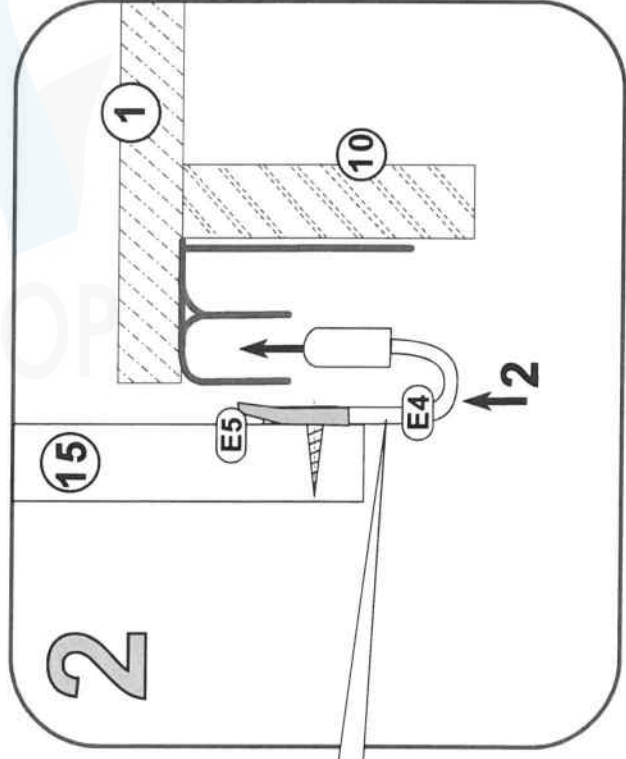
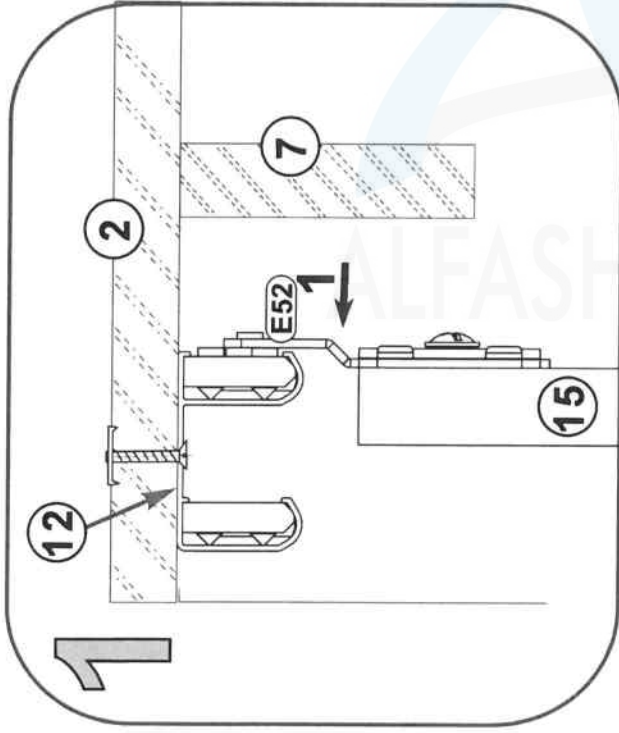
option "d" !



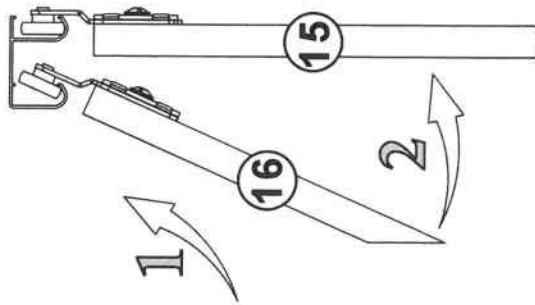
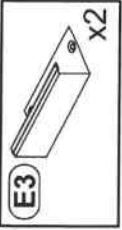
19



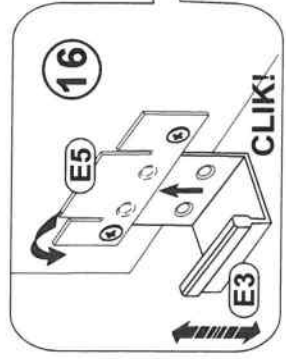
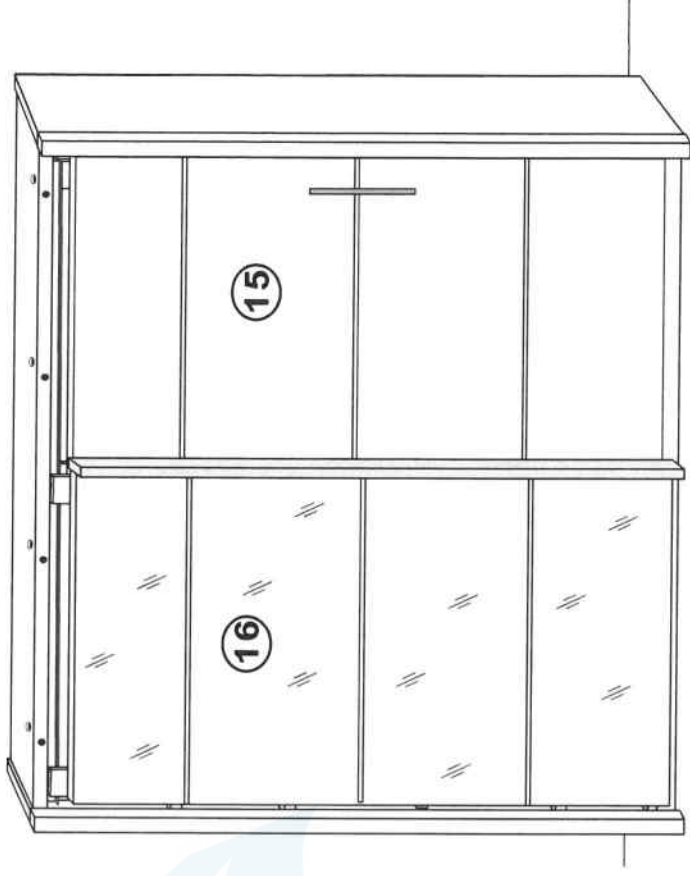
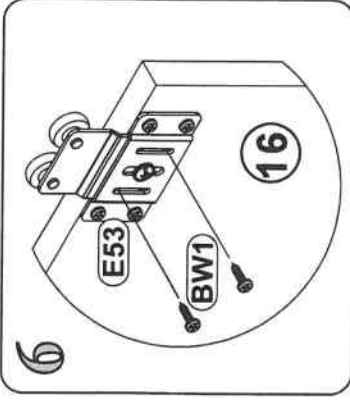
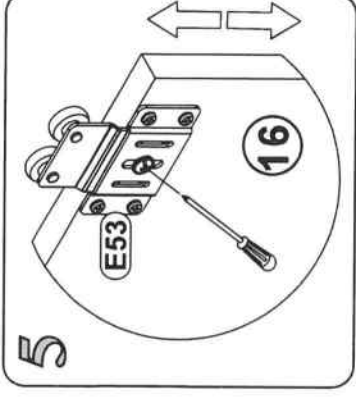
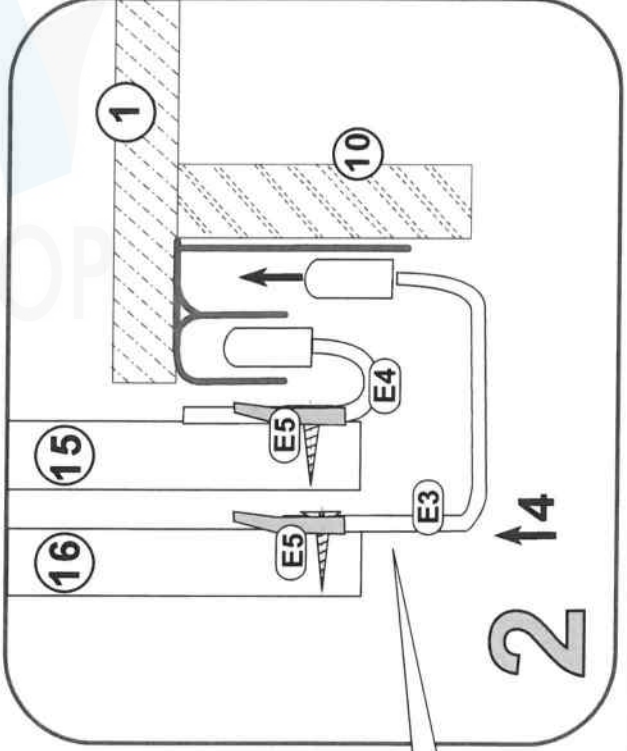
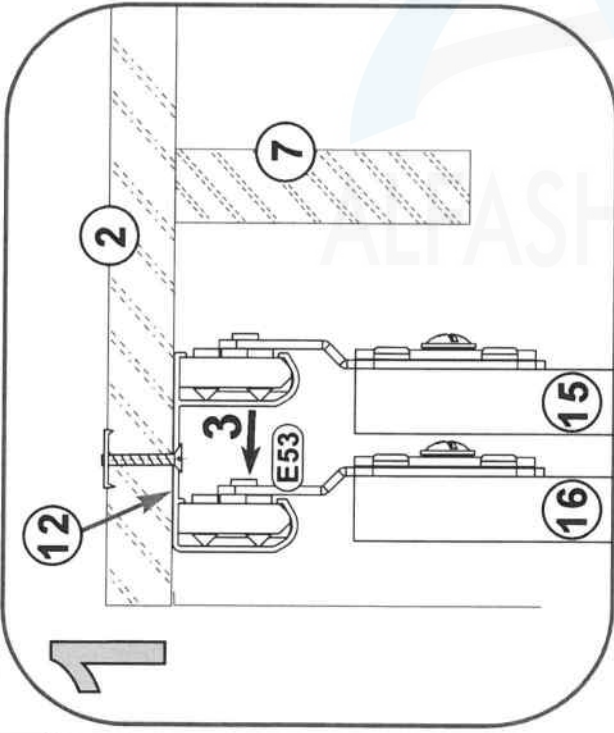
option "d" ⚠

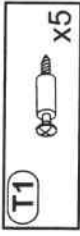


20

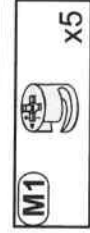
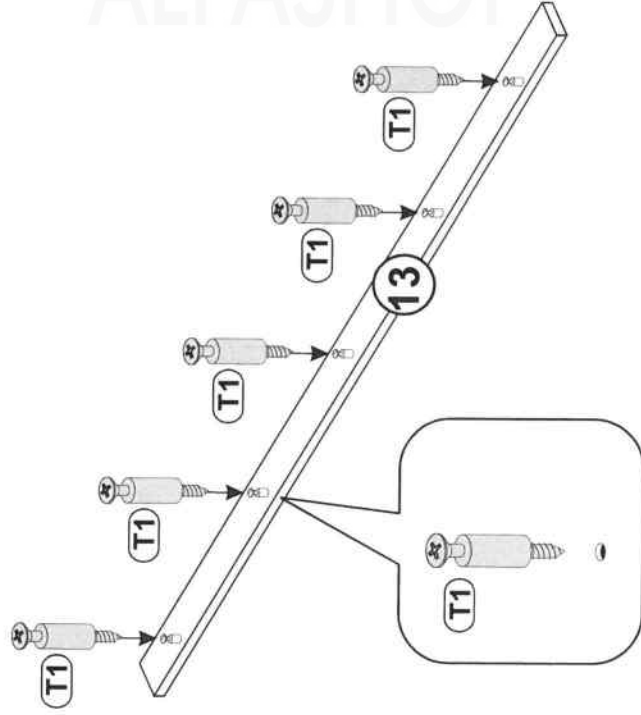


option "d" !

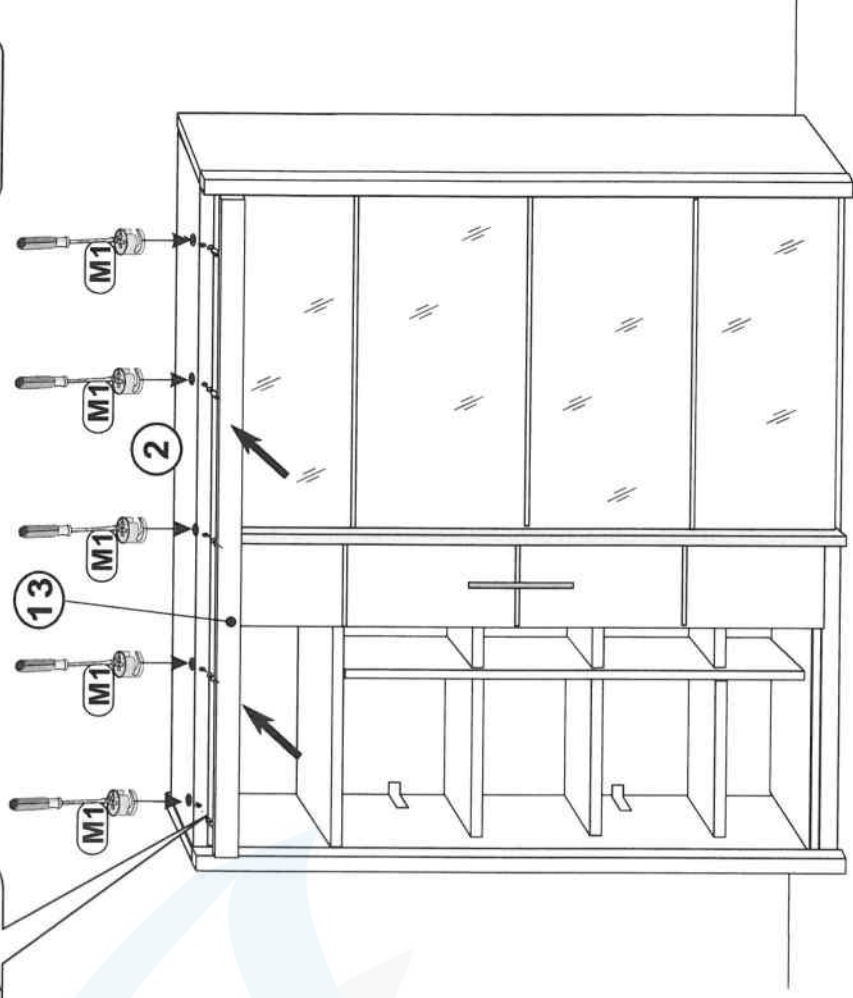
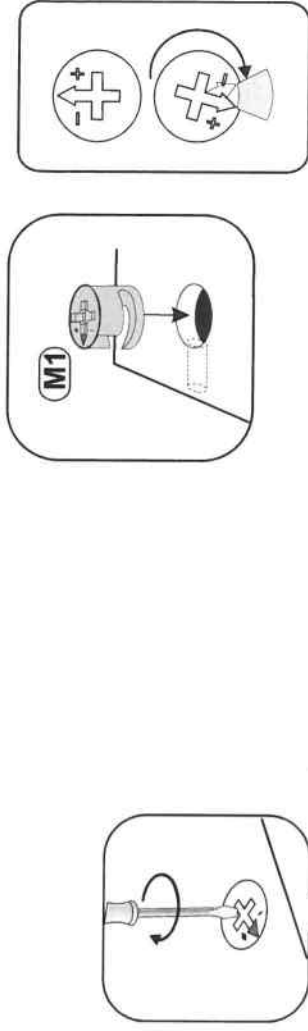




21



22



23

- x3
- x2
- 3.5x13 mm x4

